

Relax, It's A
SYLVAN

1996 Fiberglass & Pontoon Boats



THE MOST
RELAXING
PLACE YOU'LL FIND
IS INSIDE A
SYLVAN BOAT



Few activities are as relaxing as boating.

In the tranquil stillness of dawn, quietly drifting in the middle of a lake brings such a soothing serenity you almost don't care whether the fish bite or not.

It's even relaxing when you and your friends are zooming full tilt across the water, having a grand smile-filled time. Your everyday worries are left in your wake, replaced by a joyous exhilaration that puts your mind at ease.

And as the day winds down, with the water sprinkled with gold from the setting sun, you take your family for a leisurely cruise. The boat sways gently, the waves sparkle in the warm sunlight, your children smile with innocent delight; contentment flows over you, and you're at peace with the world.

Boating is meant to be relaxing, and Sylvan boats are designed to let you enjoy each relaxing moment to the fullest. Inside and out, Sylvan builds boats that are solid, long-lasting, comfortable and safe. So every time you head away from the pier, all you and your family have to do is relax and enjoy.

For example, our rugged fiberglass hulls include several layers of hand-laid woven roving and fiberglass for superior hull integrity. We laminate the stringer system to the hull with 2415 Fab-Mat, and double-lap woven roving at the chine and keel for greater strength. We use only heavy-gauge aluminum for our pontoon tubes, which also feature separate bulkheads with drain holes at every seam.

For our solid, superb decks, we bolt XL-50 plywood to aluminum cross members instead of using screws that could work loose.

The amenities inside your Sylvan make it easy to unwind. Plenty of storage space, comfortable seating with lasting good looks, consoles with easy-to-read gauges, and an array of family-pleasing colors are just a few of the refreshing features you'll enjoy.

Something else you'll enjoy are the compliments your Sylvan boat will receive from everyone on the lake for its sleek profile, eye-catching exterior graphics and bright, attractive interior. In fact, about the only problem you'll have with your Sylvan is finding a quiet spot to drop anchor because so many people will be cruising by to admire your boat.

As an independent, family-owned company, we know how important it is for you and your family to feel at ease each time you fire up your Sylvan. That's why we put our boats through a demanding inspection process, and our exacting level flotation tests meet or exceed federal requirements. And we back our boats with warranties that are among the most solid available in the boating industry today.

Boating is more than just a business to us; it's a way of life. We want to kick back and savor our time on the water safely and comfortably just as much as you. It's the guiding force behind every boat we make, and why we build boats the way we do.

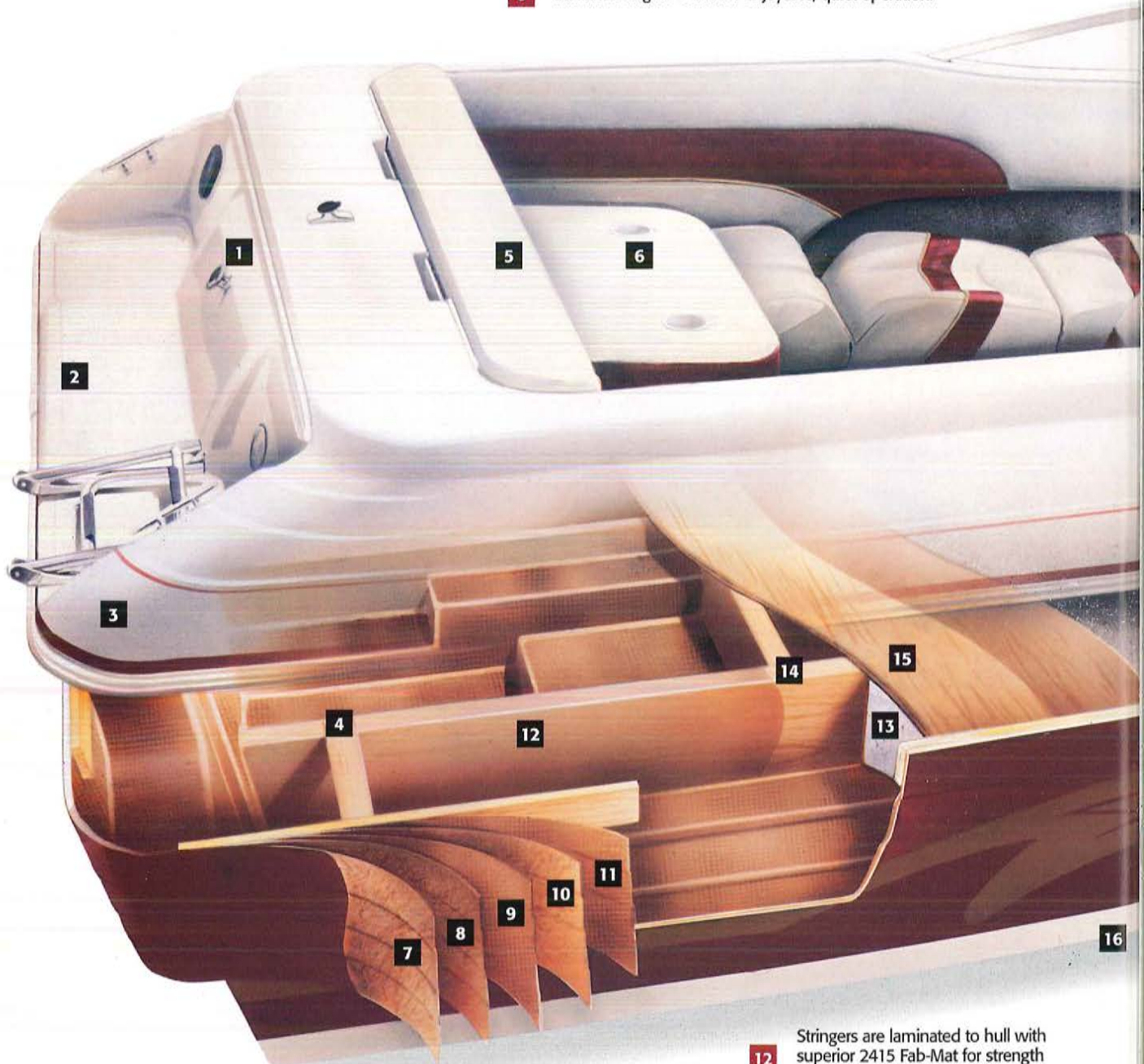
And it's why you and your family can hop aboard, leave the world at the dock and simply relax.



It's A SYLVAN AFTER ALL

SEE WHY YOU CAN R

- 1** Ski eye made with stainless steel so it won't rust.
- 2** Strong molded swim platform with non-skid surface for your safety.
- 5** Luxurious, rich-looking premium knit-back laminated vinyl for long-lasting comfort with thick foam padding for years of shape-holding firmness.
- 6** Insulated engine cover for enjoyable, quiet operation.



- 3** ½" Balsa core deck construction that's rigid and strong, yet very lightweight.
- 4** All wood under floor completely encapsulated in fiberglass for structural integrity.

For superior hull strength:

- 7** 1½ oz. chopped strand;
- 8** 1½ oz. chopped strand;
- 9** 24 oz. woven roving;
- 10** 2 oz. chopped strand;
- 11** 24 oz. woven roving.

- 12** Stringers are laminated to hull with superior 2415 Fab-Mat for strength and reinforcement.
- 13** Sandwiched foam for flotation strength and quietness.
- 14** Floor laminated to stringer then mechanically fastened for solid I-beam construction.

RELAX In Your SYLVAN

- 19** AM/FM stereo-cassette inside glove box for protection from the weather.
- 20** Convenient cup holders.
- 21** Soft-grip steering wheel for smooth comfortable control.



- 15** Top and bottom of floor encapsulated in fiberglass for strength, structural integrity and to prevent rot.
- 16** Woven roving double lapped at chine and keel for greater strength and support for a high stress area.
- 17** Crack-resistant 20-25 mill ISO-NPG buff back gel-coat for a long-lasting high gloss that resists fading.
- 18** Floor and hull side tied together with woven roving for hull integrity.

- 22** All wiring color coded, wrapped in protective sheath and custom manufactured to our specifications.
- 23** Curved, tempered safety glass windshield for streamlined appearance.
- 24** Attractive color-matched vinyl rub rail.
- 25** Easy to clean, long-lasting marine-grade carpet with five-year warranty for your peace of mind.
- 26** Deck and hull double fastened with stainless steel fasteners for superior hold, then sealed for protection.
- 27** Cleats are stainless steel and thru-bolted, not screwed, for long-lasting strength.

SYLVAN

V196 Console



V196 Front Seating



V196 Rear Lounge Seat



V196 Sport I/O

V178 Sport I/O



V178 Viper



V196 Sport I/O



V210, V196, V178, VIPER



Start running with a fast crowd.

V210 I/O AND SPORT I/O STANDARDS

37-gal. built-in gas tank • 4 stainless steel cleats • Stainless steel bow rail
 • Full instrumentation with depth finder and hour meter • Tilt steering with soft grip steering wheel • Self-storing top and boot • Marine carpet • Bilge pump and blower
 • Side storage • Under seat storage • In-floor ski storage • Walk-thru curved glass windshield • Port side dash cooler with drain • Running lights • Full swim platform with hideaway ladder • Stainless steel ski ring • Removable bow lounge cushion
 • Sony AM/FM cassette radio with 4 speakers • 12-volt accessory plug • Cockpit beverage holders • Deluxe tailored upholstery with high density foam
 • **Colors:** Almond/Blue • Almond/Burgundy • Almond/Emerald

V210 I/O

Special Standards: Fold-down sleeper seats • 2 jump seats • Jump seats convert to sun lounger • Insulated fiberglass motor cover • Stainless steel grab bar

V210 SPORT I/O

Special Standards: Igloo cooler • Rear sun lounger with bench seat • 2 captain's chairs with sliders • Stainless steel grab handle

V196 I/O AND SPORT I/O STANDARDS

37-gal. built-in gas tank • 4 stainless steel cleats • Stainless steel bow rail • Full instrumentation with depth finder and hour meter • Tilt steering with soft grip steering wheel • Self-storing top and boot • Marine carpet • Bilge pump and blower • Side storage • Under seat storage • In-floor ski storage • Walk-thru curved glass windshield • Port side dash cooler with drain • Running lights • Full swim platform with hideaway ladder • Stainless steel ski ring • Removable bow lounge cushion • Sony AM/FM cassette radio with 4 speakers • 12-volt accessory plug • Cockpit beverage holders • Deluxe tailored upholstery with high density foam • **Colors:** Almond/Blue • Almond/Burgundy • Almond/Emerald

V196 I/O

Special Standards: Fold-down sleeper seats • 2 jump seats • Jump seats convert to sun lounger • Insulated fiberglass motor cover • Stainless steel grab bar

V196 SPORT I/O

Special Standards: Igloo cooler • Rear sun lounger with bench seat • 2 captain's chairs with sliders • Stainless steel grab handle

V178 I/O AND O.B. STANDARDS

24-gal. built-in gas tank • 4 stainless steel cleats • Self-storing top and boot • Marine carpet • Full instrumentation • Bilge pump • Blower (I/O only) • Carpeted storage areas • In-floor ski storage • Cup holders • Walk-thru curved glass windshield with Versa hatch • Glove box • Running lights • Accent striping • Horn • Swim platform with swing-down ladder • Ski ring • AM/FM stereo-cassette
 • **Colors:** Almond/Blue • Almond/Burgundy • Almond/Emerald

V178 I/O OPTIONS

Mooring cover • Bow cover • Side and aft curtains

V178 VIPER STANDARDS

24-gal. built-in gas tank • Curved glass walk-thru windshield • 4 stainless steel cleats • 3 interior lights • Bilge pump • 12-volt accessory plugs • Deluxe tackle tray • Horn • Glove box • Lockable graph storage • Running lights • Top and boot • Bow and stern storage compartments • Deep V hull with performance pad and step transom • 3 bass seats • Stationary driver's pedestal with slider • Front and rear casting platforms • Bow and stern live wells • Recirculating pumps with timers on live wells • Circuit breakers • Full instrumentation • Bow panel with trolling motor plug • 12/24 trolling motor system • Twin-tiered console for multiple electronics • Tilt steering wheel • AM/FM stereo-cassette • Lockable rod storage
 • **Colors:** Almond/Blue • Almond/Burgundy • Almond/Emerald

Model	Center Length	Beam	Transom Width	Depth	Maximum H.P.	Weight	Weight Capacity	People Capacity
V210 I/O	20'10"	102"	96"	35"	250	3035	2000	10
V196 I/O	19'6"	96"	93"	31½"	230	2400	1565	8
V178 I/O	17'8"	88"	87"	29"	180	1200	1565	8
V178 O.B.	17'8"	88"	87"	29"	150*	1100	1915	7
V178 Viper	17'8"	88"	87"	29"	150*	1150	1500	5

*All boats using greater than 125 H.P. O.B.s should have dual or hydraulic steering



SPACE SHIP

2300 Space Ship



SPACE SHIP I/O STANDARDS

31-gal. gas tank • 4 cleats • Stainless steel ski tow and grab bar • Blower
 • Running lights • Bow filler cushions • Swim platform with swing-down ladder
 (2300/2 ladders) • Wraparound bow and stern seating • Molded fiberglass
 seating with 4" foam upholstery • Euro-style full wraparound Venturi windshield
 • Welded stainless steel bow and stern rails • Full instrumentation • Switch
 panel with breakers, no fuses • Depth gauge • Deluxe marine carpet • Custom
 graphics • Custom steering wheel • Interior courtesy lights • Cup holders
 • Adjustable helm seat sliders • Carpeted storage under all seats • Large
 gel-coated engine area for serviceability • Two large engine area storage boxes
 with drains • Deluxe slideout Sony AM/FM stereo-cassette with 4 Sony speakers
 • Bilge pump • Plexiglass cocktail table • Forward lounge cushions • Horn
 • Lockable glove box • Colors: Almond/Blue • Almond/Burgundy
 • Almond/Emerald • Almond/Champagne

SPACE SHIP I/O OPTIONS

Bimini top • Mooring cover

2300 SPACE SHIP I/O

Special Standards: Exterior boarding lights • Lighted status panel • Two
 molded coolers under aft seat • Tilt steering • Power Actuator for engine
 sun lounge • Extra table base

Special Options: Extra 31-gal. gas tank

2001 SPACE SHIP I/O

Special Standards: Insulated coolers under sun deck • Tilt steering

Special Options: Extra 31-gal. gas tank

1800 SPACE SHIP I/O

Special Options: Tilt steering

1500 SPACE SHIP O.B. STANDARDS

31-gal. built-in gas tank • 4 cleats • Side grab rails • Marine carpet • Bilge pump
 • Wind deflector • Glove box • Lights • Step pads • Swim platform with swing-down
 step • Bow cushions and back rests • 1 bucket seat • 2 rear jump seats • Cup holders
 • Colors: Almond/Blue • Almond/Burgundy • Almond/Emerald • Almond/Champagne

1500 SPACE SHIP O.B. OPTIONS

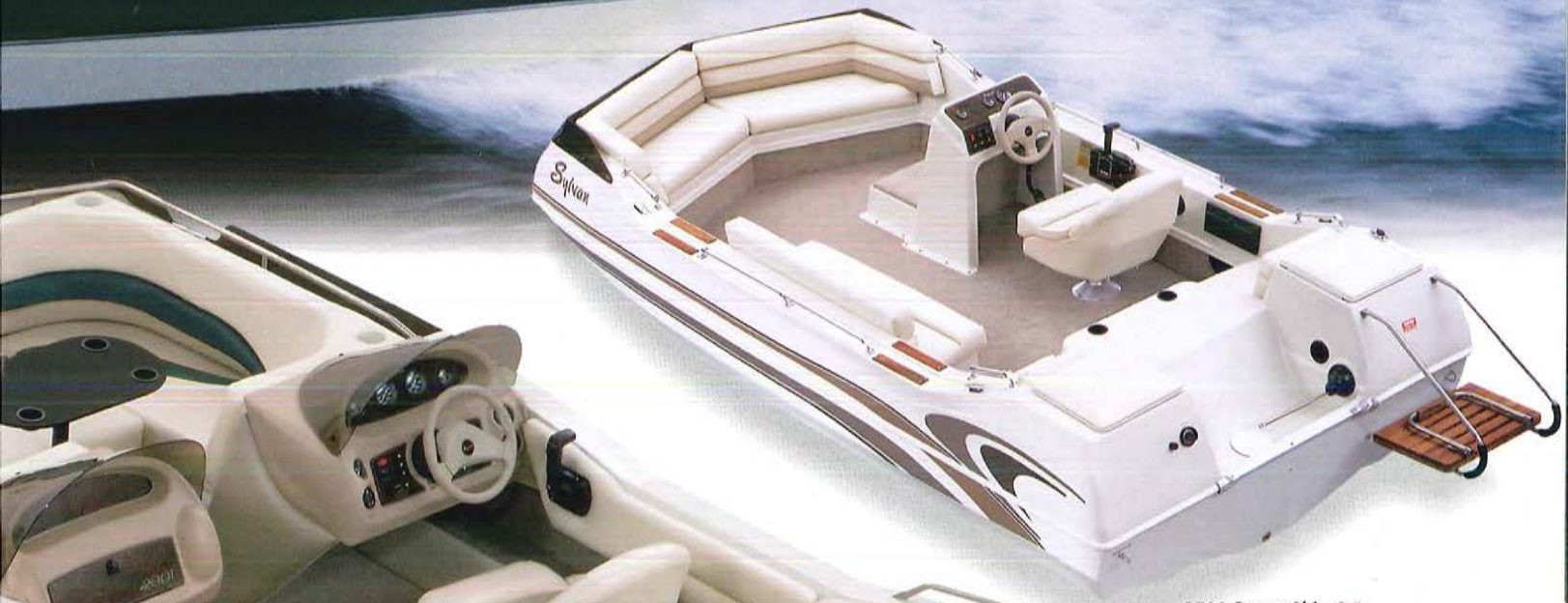
Mooring cover

Model	Center Length	Beam	Transom Width	Depth	Maximum H.P.	Weight	Weight Capacity	People Capacity
2300 Space Ship	23'4"	99"	90"	35"	260	2460	2400	14
2001 Space Ship	20'	94"	84"	33"	230	1800	1655	11
1800 Space Ship	18'5"	87"	79"	29"	175	1400	1370	9
1500 Space Ship	15'4"	94"	85"	24"	100	1075	1600	7

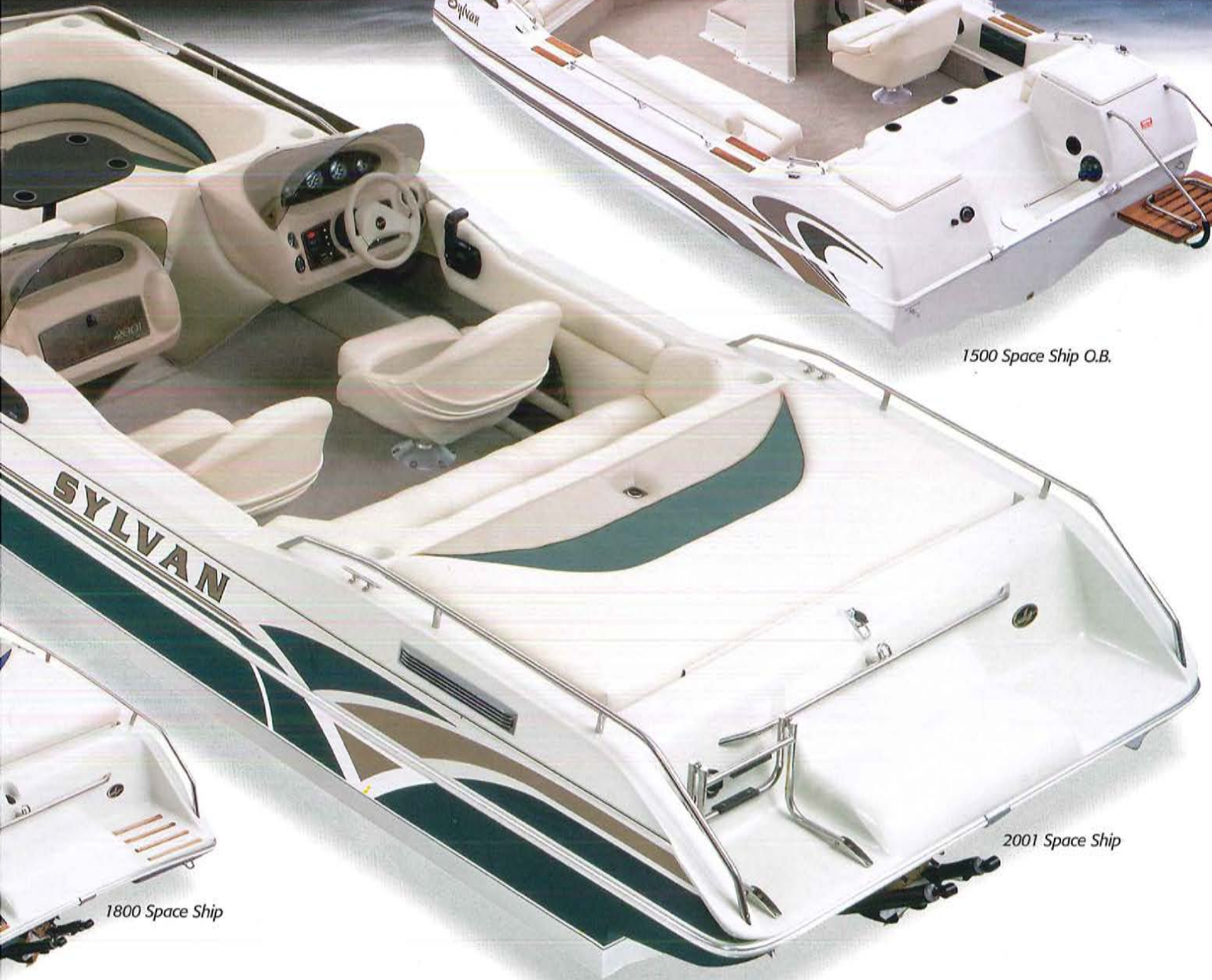




SYLVAN



1500 Space Ship O.B.



SYLVAN

2001 Space Ship

1800 Space Ship



1900 Space Deck
Cruising Package
with optional rear entry
and fiberglass floor

1900 Space Deck Fishing Package

Leisure time well spent.

2300 SPACE DECK STANDARDS

50-gal. built-in gas tank • Deluxe console with windscreen
• Full instrumentation • Porti-potti • Sun deck • Sink • 48-quart Igloo cooler • Tilt steering • Cup holders • Table • Rear L-group seating • 2 large front couches • In-floor storage • Under sun deck storage • Side panel storage • Running lights • Rear entry floor plan • Rear entry ladder • Marine carpet • Bilge pump • Song AM/FM stereo-cassette with 4 speakers • Horn • 3 swing-in gates • 4 cleats • Deluxe barrel chair • Courtesy light • Color-coordinated Bimini top • Laminated floor • **Colors:** Almond/Blue • Almond/Burgundy • Almond/Emerald • Almond/Champagne

2100 SPACE DECK STANDARDS

50-gal. built-in gas tank • 4 cleats • Full instrumentation • Deluxe console • Deluxe barrel chair • Rear L-group seating • Marine carpet • Accent striping • Cup holders • Courtesy lights • Tilt steering • Under seat storage • Side panel storage • 2 large front couches • 3 swing-in gates • Running lights • Laminated floor • Horn • In-floor storage • Sun deck • AM/FM stereo-cassette with 4 speakers • Bilge pump • Table • Color-coordinated Bimini top • **Colors:** Almond/Blue • Almond/Burgundy • Almond/Emerald • Almond/Champagne

2100 SPACE DECK OPTIONS

Porti-potti • Sony stereo • Boarding ladder • Rear entry floor plan • Fiberglass floor

1900 SPACE DECK STANDARDS

30-gal. built-in gas tank • 4 cleats • Full instrumentation • Marine carpet • Bilge pump • Blower • In-floor ski storage • Bow storage • Running lights • AM/FM stereo-cassette with 4 speakers and exterior antenna • Cup holders • 3 swing-in gates • Accent striping • Deluxe barrel chair • Rear L-group seating • Flip-back storage box • Table • Sun deck • Cooler • Horn • Tilt steering • Deluxe console • Courtesy lights • Laminated floor • Under seat storage • Side panel storage • Under sun deck storage • Color-coordinated Bimini top • **Colors:** Almond/Blue • Almond/Burgundy • Almond/Emerald • Almond/Champagne

1900 SPACE DECK OPTIONS

Porti-potti • Sony stereo • Boarding ladder • Rear entry floor plan • 50-gal. gas tank • Fiberglass floor

1900 SPACE DECK CRUISING PACKAGE

2 front bench seats

1900 SPACE DECK FISHING PACKAGE

Live well • Flip-back storage box • 2 removable bass seats

Model	Center Length	Beam	Transom Width	Maximum H.P.	Weight	Weight Capacity	People Capacity
2300 Space Deck	23'4"	104"	104"	250*	2740	3000	14
2100 Space Deck	21'3"	96"	94"	200*	1940	2500	12
1900 Space Deck-Cruise	18'8"	96"	94"	180*	1720	1800	10
1900 Space Deck-Fish	18'8"	96"	94"	180*	1720	1800	10

*All boats using greater than 125 H.P. O.B.s should have dual or hydraulic steering

MERCURY
OUTBOARDS

MARINER
OUTBOARDS



SPACE DECK



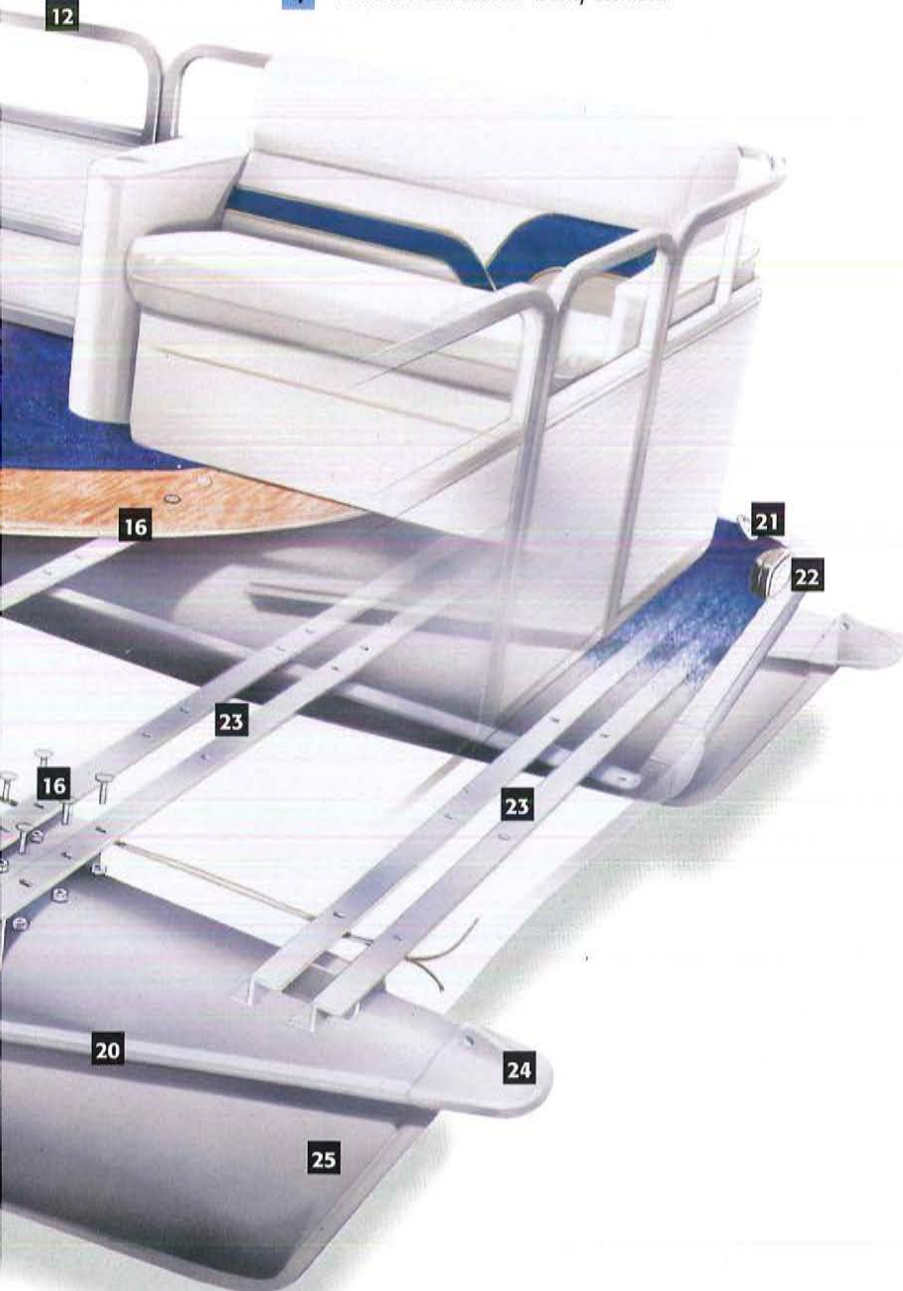


SYLVAN

SEE WHY YOU CAN RELAX IN YOUR SYLVAN

- 1** Color-coordinated 9' top with five-year protective warranty, and anodized supports for long-lasting strength.
- 2** Extruded side trim to secure floor and create a streamlined appearance.
- 3** Etched 24" diameter pontoon tubes made with thick .080 gauge aluminum.
- 4** Double helm seat for roomy comfort.

- 5** Custom molded console top with deluxe woodgrain dash, full instrumentation, tilt steering wheel and Sony AM/FM stereo-cassette.
- 6** Fiberglass console base with horn and courtesy light.
- 7** Built-in slide out cooler in front of console.
- 8** Attractive ribbed fence panel that's painted for lasting durability.
- 9** 30" wide lift-up gates are wheelchair accessible, and swing in for added safety.
- 10** Bulkheads with drain holes at each seam for flotation, and stamped for extra strength.
- 11** Long-lasting Roto-cast furniture ensures dry storage, and the high-grade marine vinyl keeps its bright good looks for years and years.
- 12** 1 1/4" anodized railing for clean, lasting appearance, and thru-bolted to the floor for strength.
- 13** Sturdy aluminum gussets provide extra support at gate openings.
- 14** Seamless marine grade carpet comes with five-year warranty for your peace of mind.
- 15** 3/4" pressure-treated plywood floor that won't warp or rot with 50-year warranty for long-lasting protection.
- 16** Floor bolted to cross members with stainless steel bolts (not screws) for long-lasting strength.
- 17** Aluminum cross members every 24" provide deck support and structural integrity.
- 18** Foam seam tape is placed on top of cross members to prevent water from coming through plywood seams.
- 19** Rubber grommets in Z channels protect wiring.
- 20** Nose cone fins deflect water away from boat for a drier ride.
- 21** Large, strong stainless steel cleats for secure docking.
- 22** Docking lights for safer operation at night.
- 23** Aluminum cross members are doubled at front gate, front deck and transom for extra support.
- 24** Nose cap with lift eye for easy towing or trailering.
- 25** Full length skid bar protects tube when beaching, trailering or setting boat down.



820 Special Edition
with optional rear entry



824 Special Edition
with optional rear entry



828, 824 & 820 SPECIAL EDITIONS STANDARDS

- 24-gal. built-in gas tank • L-shaped rear lounge
- 2 furniture units • Sun deck • Double barrel helm chair • Horn • Anodized 1 1/2" railing
- Deluxe fiberglass console with full instrumentation, windshield and cooler storage
- Binnacle controls • Running lights • Tilt steering wheel • Treated floor • Etched pontoon tubes (.080) • 3 gates (30" wide) • Cup holders • 24" tubes • Sony AM/FM stereo-cassette with exterior antenna • Removable table with 4 cup holders • Stainless steel hardware
- 9' color-coordinated Bimini top • Docking lights
- **Colors:** Blue • Champagne • Emerald • Burgundy

828, 824 & 820 SPECIAL EDITIONS OPTIONS

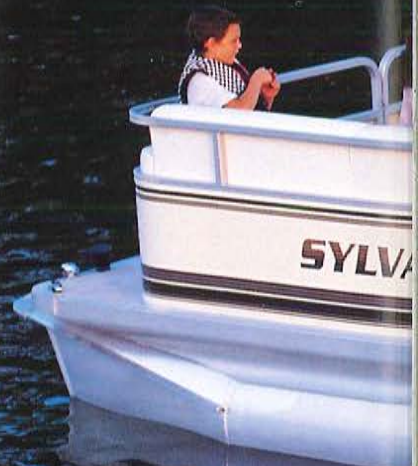
- Rear entry floor plan • 2 barrel chairs with table • Furniture covers • Mooring cover • Deluxe top • Aluminum top • Boarding ladder • Adjustable transom – max 35 H.P. (no extra cost)
- Porti-potti • Camper enclosure

Special Options: 16-gal. gas tank and single barrel chair with rear entry and Porti-potti combination

Model	Pontoon Length	Pontoon Diameter	Deck Length	Deck Width	Support Channels	Maximum H.P.	Approx. Weight	Weight Capacity	People Capacity
828 Special Edition	28'	24"	27'1"	8'	20	115	2075	3300	17
824 Special Edition	24'	24"	23'1"	8'	18	115	1950	3000	15
820 Special Edition	20'	24"	19'1"	8'	16	90	1825	2600	13

SPECIAL

820 Special Edition



**MERCURY
OUTBOARDS**

**MARINER
OUTBOARDS**

824 Special Edition
with optional 2 barrel chairs
and table



DITION



824 Special Edition
with optional Porti-potti



ADVANTAGE

820 Advantage Fishing Package



824 Advantage Cruising Package



824 Advantage Cruising Package with optional sun deck



824 Advantage Fishing Package with optional sun deck



820 Advantage Cruising Package



824 & 820 ADVANTAGE STANDARDS

- 12-gal. built-in gas tank • Deluxe steering console with instrumentation and windshield
- Binnacle controls • Anodized 1 1/2" railing • Running lights • Battery tray • Treated floor
- Etched pontoon tubes • 3 gates (30" wide) • 9' colored Bimini top • Horn • Deluxe barrel chair • Cup holders • 22" tubes & 115 H.P. rating (820/75 H.P.) • AM/FM stereo-cassette with exterior antenna • **Colors:** Blue • Burgundy • Champagne • Emerald

824 & 820 ADVANTAGE OPTIONS

- Flip-back seat and table (cruise package only) • Furniture covers • Playpen cover • Boarding ladder • Salt water package • Adjustable transom – max. 35 H.P. (no extra cost) • Deluxe top • Sun deck • Rear entry with sun deck • Camper enclosure with rear entry and sun deck only • L-shaped rear lounge (fishing package only)

824 & 820 ADVANTAGE FISHING PACKAGE

- Large rear couch • Bow rails • Flip-back seat with live well • 2 movable bass seats • 4 fishing seat positions • Rod holders • Removable table

824 & 820 ADVANTAGE CRUISING PACKAGE

- L-shaped rear lounge • 2 front bench seats

Model	Pontoon Length	Pontoon Diameter	Deck Length	Deck Width	Support Channels	Maximum H.P.	Approx. Weight	Weight Capacity	People Capacity
824 Advantage	24'	22"	21'4"	8'	17	115	1395*	2500	12
820 Advantage	20'	22"	17'4"	8'	15	75	1250*	1900	10

*Approximate weight for Cruising Package. Fishing Package will weigh less.



820 Elite Cruising Package



820 Elite Fishing Package



ELITE



For the memories of a lifetime.

820 ELITE STANDARDS

12-gal. gas tank • Deluxe steering console with windshield • Binnacle controls
 • Captain's chair • Horn • Anodized 1 1/4" railing • Running lights • Battery tray • Treated
 floor • Etched pontoon tubes • 3 gates • Cup holders • 22" tubes • Large rear couch
 • Removable table • AM/FM stereo-cassette • Color-coordinated Bimini top
 • **Colors:** Blue • Burgundy • Champagne • Emerald

820 ELITE OPTIONS

Playpen cover • Furniture covers • Boarding ladder

820 ELITE FISHING PACKAGE

Flip-back seat with live well • 2 removable bass seats • Bow rails • 4 floor bases

820 ELITE CRUISING PACKAGE

Flip-back seat with storage • Port and starboard front couches

Model	Pontoon Length	Pontoon Diameter	Deck Length	Deck Width	Support Channels	Maximum H.P.	Approx. Weight*	Weight Capacity	People Capacity
820 Elite	20'	22"	17'4"	8'	13	75	1170	1900	10

*Approximate weight for Cruising Package. Fishing Package will weigh less.

EVINRUDE
OUTBOARDS



820 Elite Cruising Package

WINDSONG ANGLER



818 Windsong Fishing Package



818 Windsong Cruising Package

818 WINDSONG STANDARDS

Steering console • Etched 1 1/4" railing • Table • Running lights • Battery tray • Treated floor • Etched pontoon tubes • 3 gates • Bimini top • Chair • 19" tubes and 40 H.P. rating • Cup holders • **Colors:** Blue • Burgundy • Emerald • Champagne

818 WINDSONG OPTIONS

Furniture covers • Boarding ladder • Deluxe top • Adjustable transom – max. H.P. 35 • Color-coordinated Bimini top • Playpen cover

818 WINDSONG FISHING PACKAGE

2 removable bass seats • Flip-back seat with live well • Rod holders • Rear bench seat

818 WINDSONG CRUISING PACKAGE

2 front bench seats • Flip-back seat with storage • Rear bench seat

820 ANGLER STANDARDS

12-gal. gas tank • Steering console with instrumentation and windshield • Binnacle controls • Deluxe barrel chair • High pile marine carpeting • Anodized 1 1/4" railing • Treated floor • Horn • Running lights • Etched pontoon tubes • 3 gates • Cup holders • Furniture arrangement on port • 4 bass seats • Live well • AM/FM stereo-cassette with exterior antenna • Color-coordinated Bimini top • Storage compartment • **Colors:** Blue • Burgundy • Emerald • Champagne

820 ANGLER OPTIONS

Mooring cover • Furniture covers • Salt water package • Boarding ladder



Model	Pontoon Length	Pontoon Diameter	Deck Length	Deck Width	Support Channels	Maximum H.P.	Approx. Weight*	Weight Capacity	People Capacity
818 Windsong	18'	19"	13'4"	8'	11	40	996*	1175	6
820 Angler	20'	22"	17'4"	8'	15	75	1390	1900	10

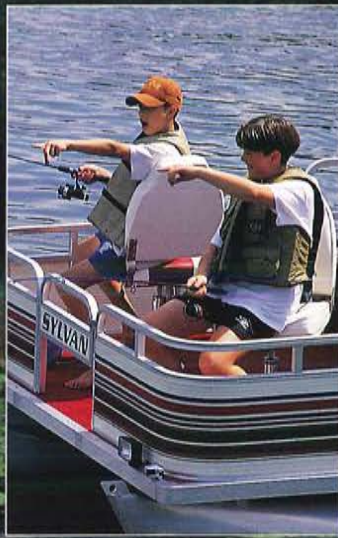
*Approximate weight for Cruising Package. Fishing Package will weigh less.



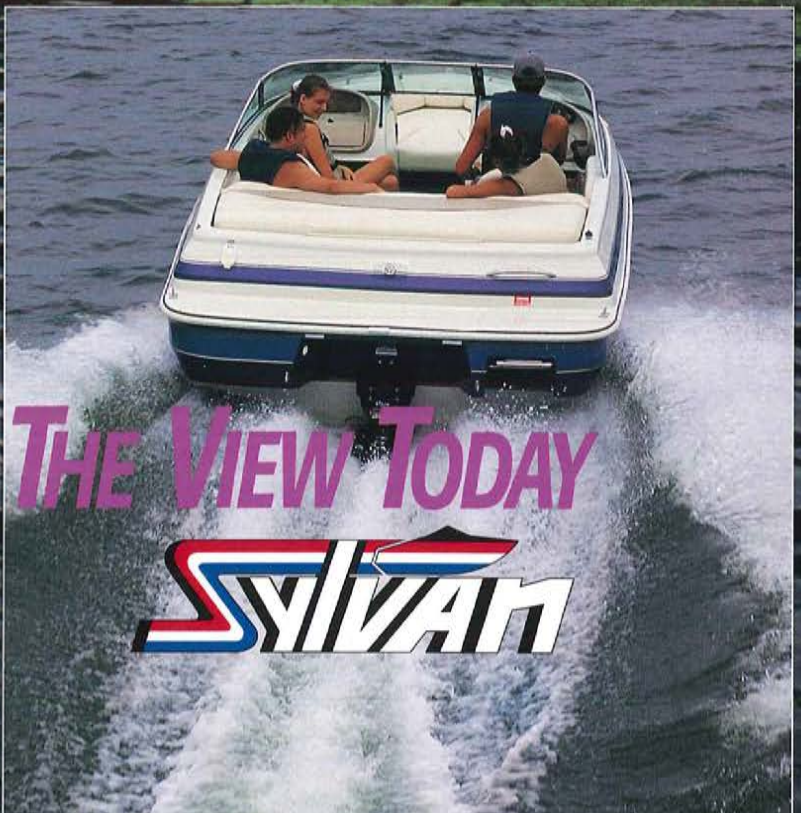
LIFE
Is FAR MORE
ENJOYABLE
WHEN YOU
VIEW IT FROM A
SYLVAN



Dave
975-596-3000



Length of pontoons 10' • Diameter of pontoons 19" • Deck size 8' x 10' • Anchor ring 3" • Net weight 350 lbs. • Capacity 1000 lbs. • Options: Swim rails • Ladder • Colors: Blue • Gray



START ENJOYING THE VIEW TODAY



**Be sure you also see
our full line of aluminum
boats at your nearby
Sylvan dealer.**



Sylvan Limited Warranty

Sylvan warrants each new fiberglass hull for a period of five (5) years, and each new riveted aluminum hull for a period of ten (10) years, from the date of purchase by the original purchaser (based on years of use, under normal recommended operating conditions) as described in the warranty folder. A copy of the Sylvan Limited Warranty is attached to each new Sylvan boat, or may be obtained from any Sylvan dealer or the Sylvan factory.

Optional equipment is shown in some photographs used in this brochure. Please confirm standards and options with your dealer. All warranty information is available from your Sylvan dealer or directly from Sylvan Marine. Please write for more information. If you don't find the boat to fit your needs in this brochure, ask your dealer about the other fine boats from Sylvan Marine.

Note: In our continuing efforts to build the best quality boats at affordable prices, it may become necessary during the course of the year to change specifications or materials used in construction. We reserve the right to make changes without prior notification.



Sylvan Marine
P.O. Box 65
New Paris, IN 46553
219/831-2950
Fax: 219/831-7012

Sylvan Marine West
P.O. Box 219
Stayton, OR 97383
503/769-2996
Fax: 503/769-5835

Sylvan Marine South
P.O. Box 1267
LaGrange, GA 30241
706/882-1438
Fax: 706/882-9562

Sylvan Marine North
P.O. Box 129
Minong, WI 54859
715/466-5247
Fax: 715/466-5320

